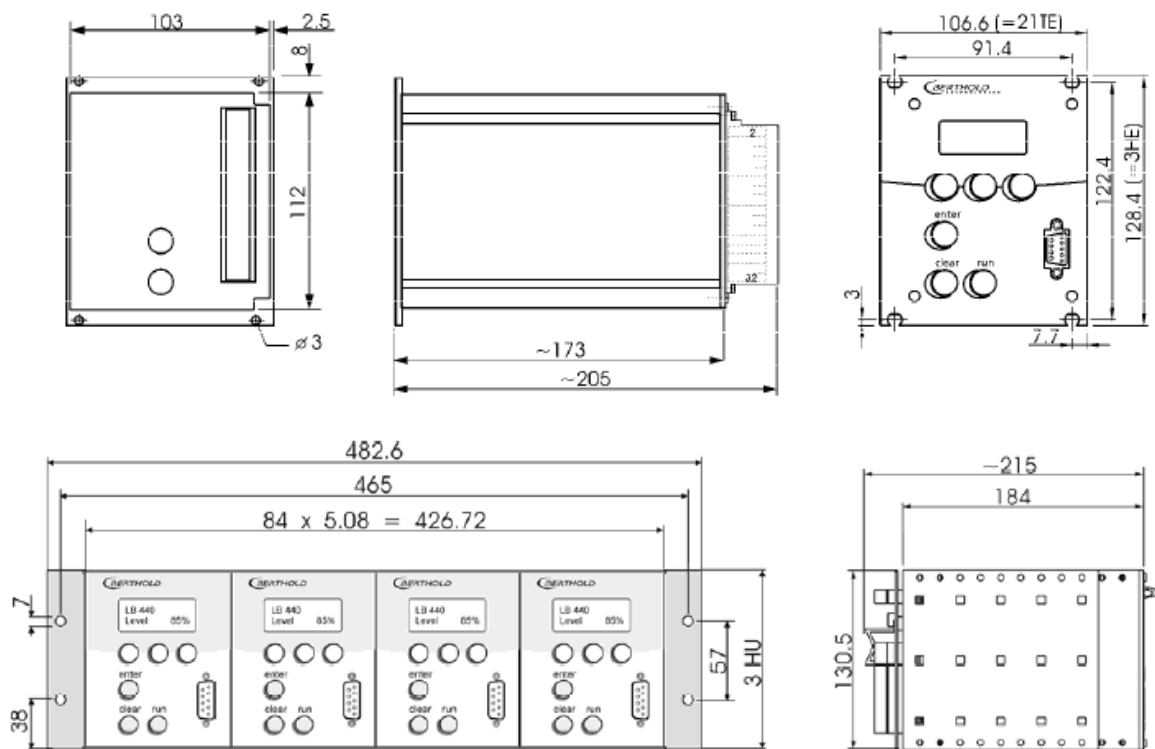


Technical Information

LB 440

Continuous Level Gauge

Evaluation Unit, 19"-Rack



TAG #	ID #	Type	[Ex ib]	Master/Slave	Power Consumption	Power Supply
Item 4	40441-01	LB 440-01	No	Master	30 VA (AC)	230-250 V (AC)
	40441-02	LB 440-02	No	Master	30 VA (AC)	115-125 V (AC)
Item 5	40441-11	LB 440-11	No	Slave	30 VA (AC)	230-250 V (AC)
	40441-12	LB 440-12	No	Slave	30 VA (AC)	115-125 V (AC)

Dimensions in mm, Weight in kg

Enter Project Name	
Vessel	Enter Vessel Name
TAG	Enter Tag No.